

Shock-Safe Fuseholder, 5 x 20 mm, Slot, horizontal



250 VAC · 2.5 W / 10 A (VDE) 12 A (UL)



### Description

- Kinked or straight PCB-terminals
- Horizontal style
- Compact size

### Standards

- IEC 60127-6
- UL 4248-1

### Approvals

- VDE Certificate Number: 133921
- UL File Number: E39328

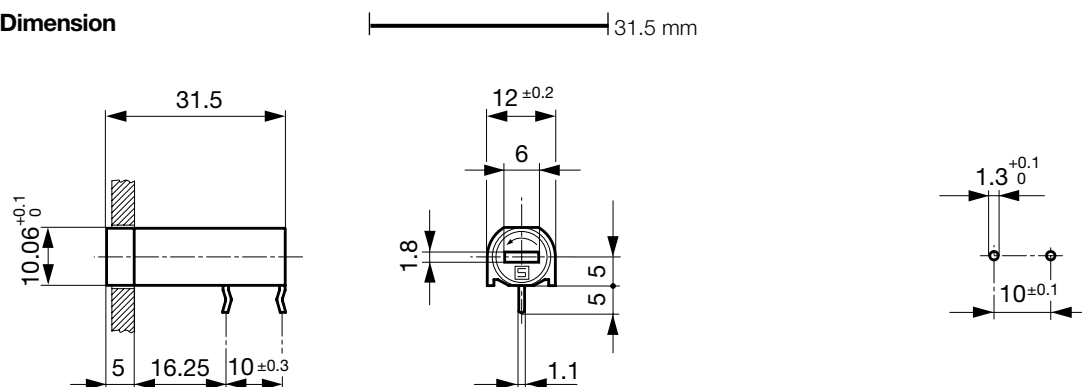
### Weblinks

[pdf-datasheet](#), [html-datasheet](#), [General Product Information](#), [Approvals](#), [CE declaration of conformity](#), [RoHS](#), [CHINA-RoHS](#), [REACH](#), [e-Shop](#), [SCHURTER-Stock-Check](#), [Distributor-Stock-Check](#), [Detailed request for product](#)

### Technical Data

Shock-Safe Category	PC2	Soldering Methods	Wave
Fuse-Link	5 x 20 mm	Solderability	245 °C / 3 sec acc. to IEC 60068-2-20, Test Ta, method 1
Mounting	PCB	Resistance to Soldering Heat	260 °C / 10 sec acc. to IEC 60068-2-20, Test Tb, method 1
Terminal	Solder THT	Contact Resistance	≤ 10 mΩ at 20 mV acc. to IEC 60127-6
Rated Voltage	250 VAC	Dielectric Strength	> 3kV between Life parts (50Hz; 1 min)
Rated current	10 A (VDE), 12 A (UL)	Impulse Withstand Voltage	> 4kV between Life parts
Rated Power Acceptance IEC	2.5 W / 10 A @ Ta 23 °C Admissible power acceptance at higher ambient temperature see derating curves	Insulation Resistance	≥ 10 MΩ between Life parts (500 VDC; 1 min)
Degree of Protection	IP 40	Overvoltage Category	III acc. to IEC 60664-1
Protection Class	Suitable for appliances with protection class I or II acc. to IEC 61140	Pollution Degree	3 acc. to IEC 60664-1
Admissible Ambient Air Temp.	-40 °C to 85 °C	Resistance to Vibration	acc. to IEC 60068-2-6, test Fc
Climatic Category	40/085/21 acc. to IEC 60068-1		
Material: Socket	Thermoplastic, UL 94V-0		
Material: Cap	Thermoplastic, UL 94V-0		
Material: Terminals	Tin-Plated Copper Alloy		
Unit Weight	5.4 g		
Storage Conditions	0 °C to 60 °C, max. 70% r.h.		
Product Marking	☐, Type, Rated voltage, Rated current, Power Rating, Approvals		

### Dimension

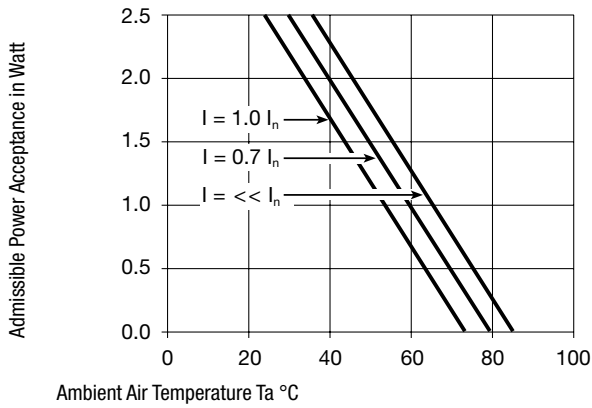


Variant 0031.3551 and 0031.3558

Drilling diagram

**Derating Curves**

5x20 mm



**All Variants**

Holder	Cap	Terminal	Degree of Protection	Order Number
●	Slot Knob	Straight	IP 40	0031.3551
●	Slot Knob	Kicked	IP 40	0031.3558

Most Popular.

Availability for all products can be searched real-time: <http://www.schurter.com/en/Stock-Check/Stock-Check-SCHURTER>

**Packaging Unit** Bulk (100 pcs.)