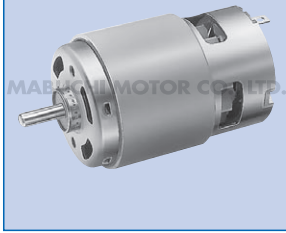


RS-775VC/WC

OUTPUT : 9.0W ~ 300W (APPROX)

カーボンブラシ | Carbon-brush motors | 碳精電刷



WEIGHT : 383g (APPROX)

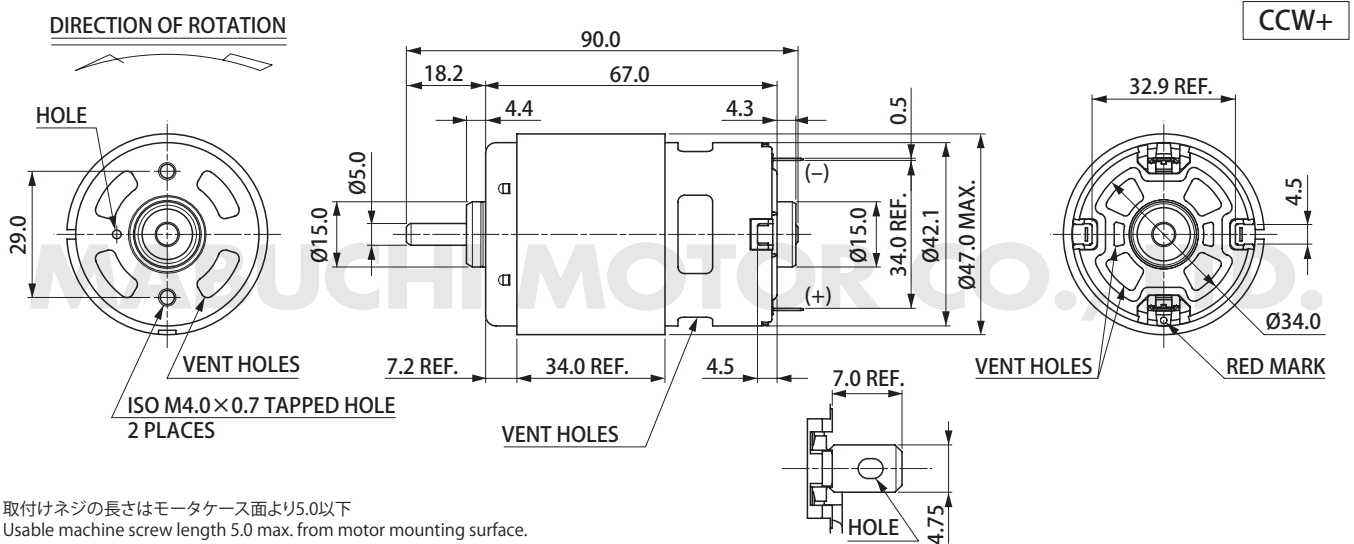
代表的用途 工具：ドリル／ガーデンツール／丸のこ

Typical Applications Cordless Power Tools : Drill / Garden Tool / Circular Saw

主要用途 工具：電钻、园艺工具、圆锯

| MODEL | VOLTAGE | | NO LOAD | | AT MAXIMUM EFFICIENCY | | | | | STALL | | |
|--------------------|-----------------|--------------|---------|---------|-----------------------|---------|--------|------|--------|--------|-------|---------|
| | OPERATING RANGE | NOMINAL | SPEED | CURRENT | SPEED | CURRENT | TORQUE | | OUTPUT | TORQUE | | CURRENT |
| | | | r/min | A | r/min | A | mN·m | g·cm | W | mN·m | g·cm | A |
| RS-775VC-8016 (*1) | 6~20 | 18V CONSTANT | 18000 | 2.20 | 15680 | 14.8 | 127 | 1292 | 208 | 981 | 10000 | 100 |
| RS-775WC-8514 (*1) | 6~20 | 18V CONSTANT | 19500 | 2.70 | 17040 | 18.7 | 153 | 1561 | 273 | 1216 | 12396 | 130 |
| RS-775WC-9013 (*1) | 6~18 | 18V CONSTANT | 21000 | 2.80 | 18520 | 20.9 | 153 | 1560 | 296 | 1295 | 13201 | 156 |

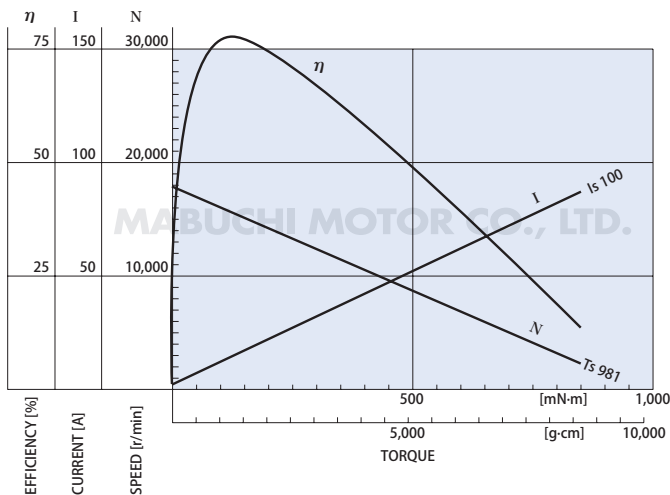
(*1) CCW 進角仕様 (CCW+) | CCW shifted commutation (CCW+) | CCW 进角规格 (CCW+)



取付けネジの長さはモータケース面より5.0以下
Usable machine screw length 5.0 max. from motor mounting surface.
安装螺丝的长度须从马达壳面算起5.0以内

UNIT : MILLIMETERS

RS-775VC-8016 18.0V



RS-775WC-8514 18.0V

