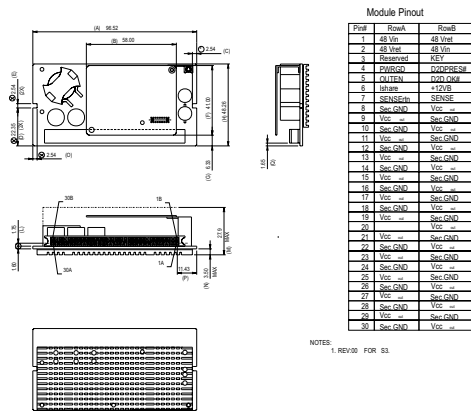


# DC-DC Converters

## SSI D2D

### MECHANICAL DRAWING

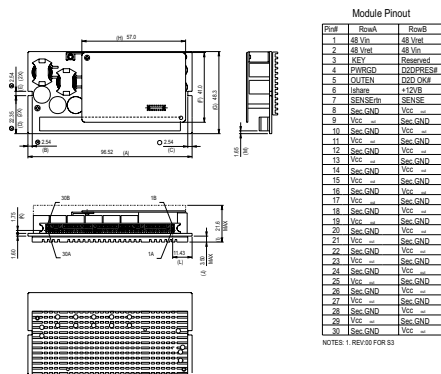
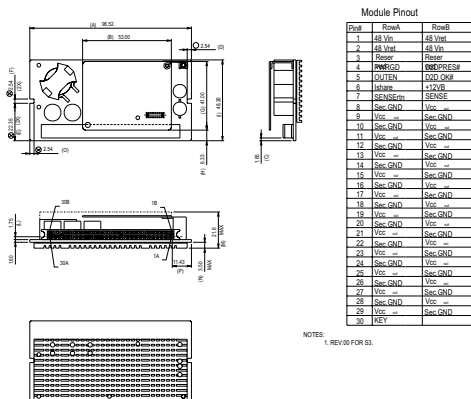


### SPECIAL FEATURES

- Intel SSI B D2D
- High efficiency 12 V > 90%  
5 V > 89%  
3.3 V > 85%
- 12Vsb standby power input

### GENERAL SPECIFICATION

- #### 12V & 5V
- Output Voltage Accuracy : +5% ~ -3 %
  - Input Filter : LC
  - Switching Frequency: 12V & 180 KHZ, 5V & 190 KHZ
  - Short Circuit Protection : Auto recovery mode
  - Over Voltage Protection: Latch mode
- #### 3.3 V
- Output Voltage Accuracy: +4.8 ~ -3 %
  - Input Filter: LC
  - Switching Frequency: 200 KHZ
  - Short Circuit Protection : Auto recovery mode
  - Over Voltage Protection: Latch mode
  - Operating Temperature: 0~60
  - Cooling: Forceo - Air convection , 150 LFM.
  - Size: 3.8 "L \* 1.9"H \* 0.9"W for 12V  
3.8 "L \* 1.9"H \* 1.1"W for 5V  
3.8 "L \* 1.9"H \* 0.83"W for 3.3V



Model	Input Intel spec. Vdc	Output Voltage Vdc	Output Voltage A	Current Protection	Features				
					Fuse Sharing	Current OVP	Sense	Remote	OTP
D48S1210 B	X.5.4	48	12	0~10	V	V	V	V	V
D48S0525 B	X.5.4	48	5	0.1~25	V	V	V	V	V
D48S3R330B	X.5.4	48	3.3	0.25~30	V	V	V	V	V